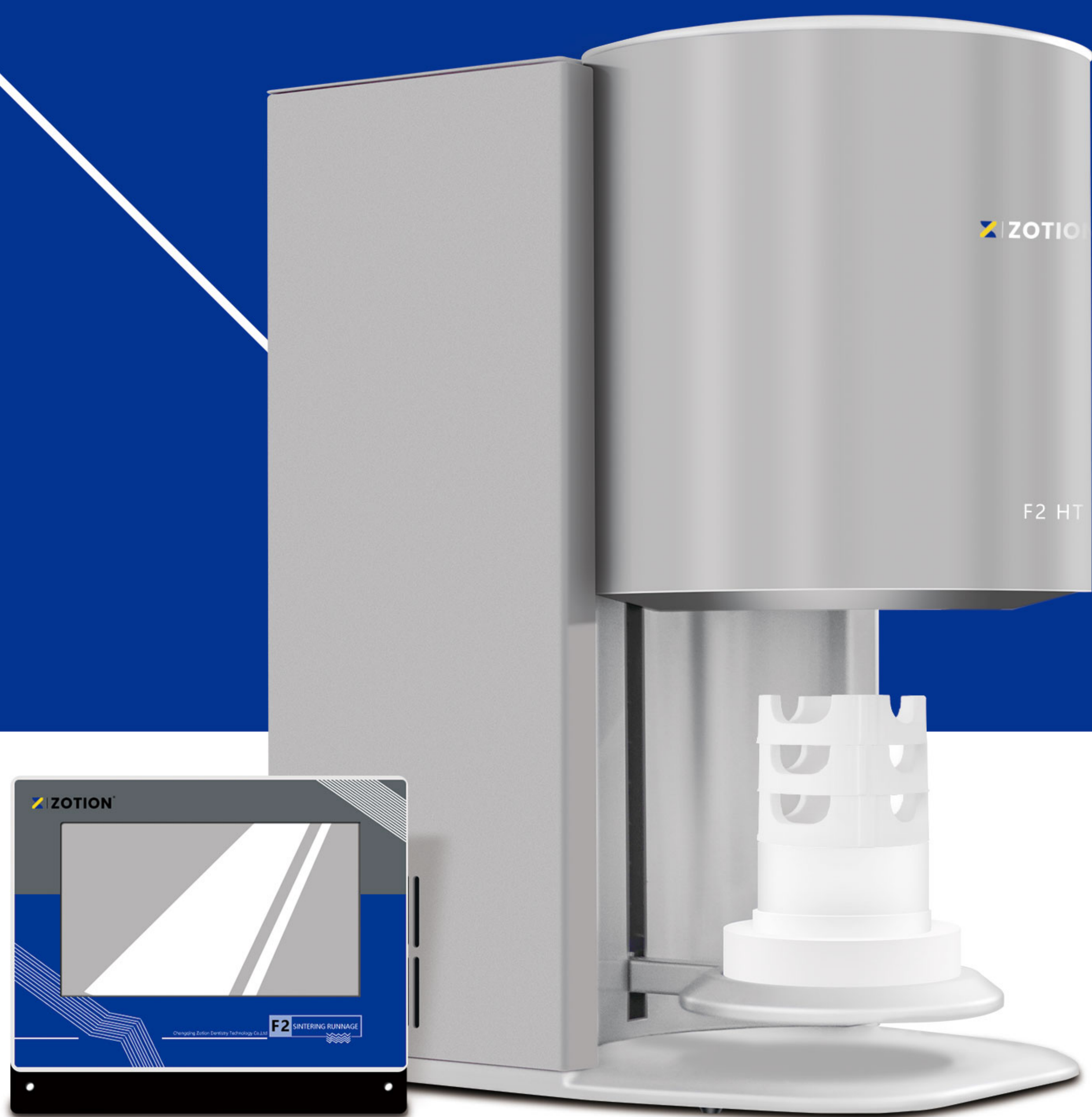


# ZOTION F2

**Fast sintering furnace**



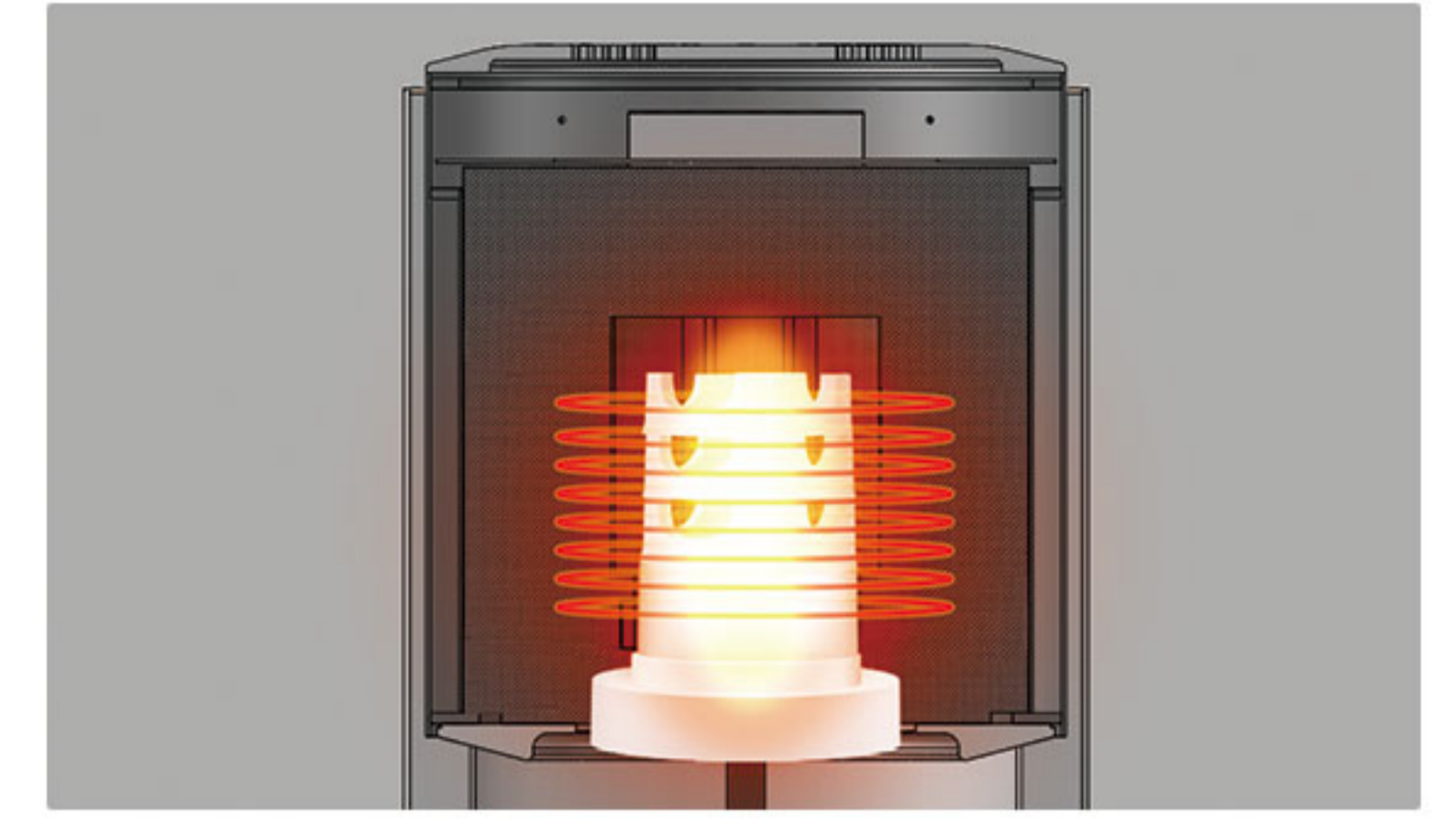
## F2 ADVANTAGES



- ▶ The Fast Cool 2.0 technology, which is developed by Zotion, can quickly cool down the sintering furnace without causing damage to it



- ▶ Full touch screen for easier operation



- ▶ 3 sintering trays can be put in the large sintering chamber



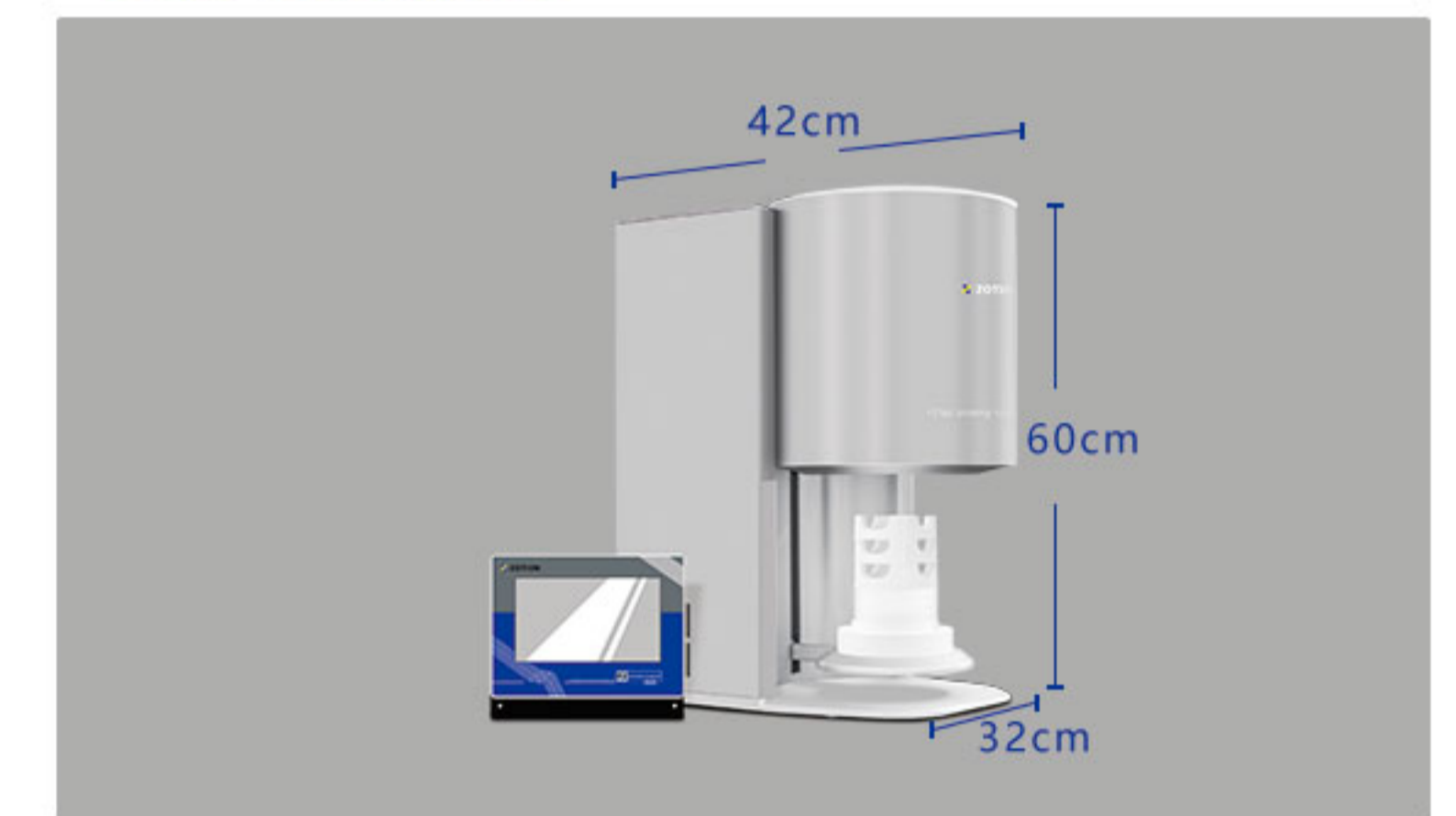
- ▶ The maximum heating rate can reach 100 °C per minute, which can realize fast and slow sintering



- ▶ Using silicon-molybdenum rods of the purest quality to generate heat, the sintering is faster, more stable and accurate



- ▶ F2 sintering furnace has excellent temperature accuracy: +/- 1°C



- ▶ The furnace is smaller and lighter thanks to Zotion advanced design

## ZOTION F2 DEVICE PARAMETERS

Rated voltage :	• Interflow 220 VAC±20 %
Rated Power:	• 2500W
Temperature control precision:	• ±1°C
Size:	• 420 * 320 * 600 mm
Net Weight:	• 38.25 kg
Rated Temperature:	• maximum temperature 1650°C
Max heating rate :	• 100°C/minute
Sintering chamber:	• 100*200mm, 3 layers sintering trays

# COMPANY PROFILE



Chongqing **ZOTION** Dentistry Tehcnology Co.,Ltd is a professional manufacturer in dentistry since 2009. It occupied 2000 m<sup>2</sup> and it has about 100 staffs.

It mainly produce dental CAD CAM milling machine, Dental zirconia block, Dental fast sintering furnace and Vacuum cleaner.

Z It's the first factory to produce dental cad cam milling machine in China.

Its strong R&D ability and stable quality products win lots of customers reliability. Zotion products has been exported to more than 90 countries.



## WHAT WE PRODUCE



Milling machine



Vacuum cleaner



Fast sintering furnace



Zirconia block

## CHONG QING ZOTION DENTISTRY TECHNOLOGY CO.,LTD

Address: 2nd Floor, Building 7, Block C, Jiulong Industrial Park, No. 26 Jiulongyuan Avenue, Jiulongpo District, Chongqing  
Tel: 02368618116 68125516

[www.zotiondental.com](http://www.zotiondental.com)