



3-Times Pre-vaccum Steam Autoclave

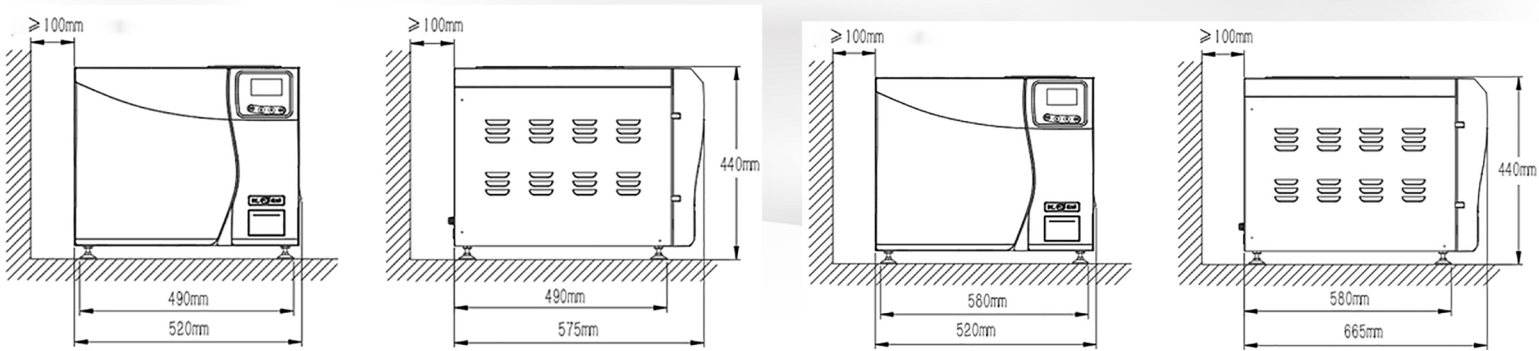
- Boiler clean program
- Easy operation
- Failure detecting system
- Door interlock devices
- Multi-Safety Protection



SPECIFICATION

Model	Size	Voltage	Capacity	Chamber Dimension	Overall Dimension	Package Dimension	G.W.	N.W.
AUE-18	18L	220V/50Hz	2000W	Φ250*355mm	570x510x440mm	690x615x601mm	68Kg	49Kg
AUE-24	24L	220V/50Hz	2300W	Φ250*475mm	660x510x440mm	780x615x601mm	75Kg	53Kg

INSTALLATION DIMENSION



AUE-18

AUE-24



SELECT PROGRAM



Program	Temperature (°C)	Pressure (Kpa)	Time (min)	Pre-vaccum	Total Time (min)	Materials
Porous 134°C	134	318.5	6	3	45~54	Wrapped and unwrapped hollow instruments
Prion 134°C	134	318.5	16	3	55~64	Porous materials Wrapped and unwrapped Solid instruments
Porous 121°C	121	214.5	18	3	60~66	
Solid 134°C	134	318.5	6	1	32~40	Wrapped and unwrapped solid instruments
Drying	---	---	---	---	15 or 18	---
Counter & SN	---	---	---	---	---	Number of Sterilization & Serial Number
Boiler Clean	---	---	---	---	20	Clean steam generator
Leak Test	---	---	---	1	20	---



ZHANGZHOU AUE TECHNOLOGY CO., LTD.

Address: No. 22, PUKOU ROAD, LONGWEN DISTRICT, ZHANGZHOU CITY, FUJIAN PROVINCE, CHINA

Mobile: +86 15959677251 (WECHAT)

Email: aue@vip.163.com